



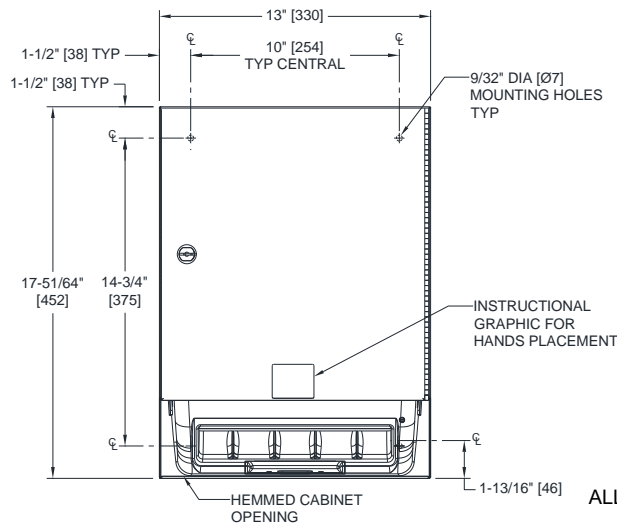
AMERICAN SPECIALTIES, INC.
 441 Saw Mill River Road, Yonkers, NY 10701
 (914) 476.9000 • (914) 476.0688
 www.americanspecialties.com

MODEL №: 8523A

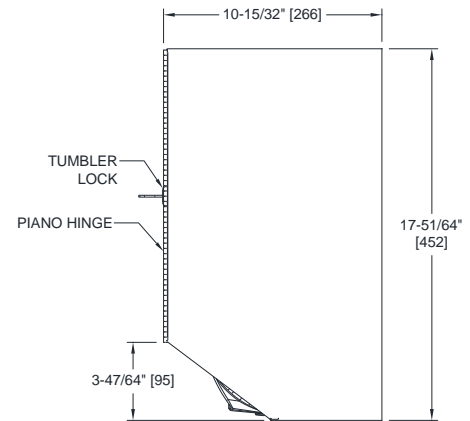
ISSUED: OCT 2009

REVISED: 18 AUG 2021

SURFACE MOUNTED AUTOMATIC PAPER TOWEL DISPENSER



FRONT VIEW



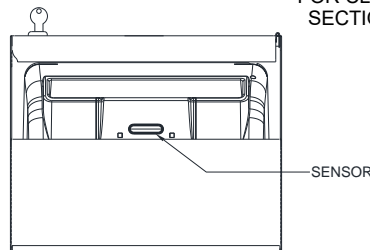
SIDE VIEW

NOTE

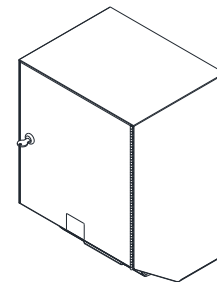
ALL DIM'S INCH [MM]

ILLUSTRATION FOR REF ONLY AND NTS

FOR CLEANING INSTRUCTIONS SEE APPROPRIATE SECTIONS IN PRODUCT CARE & MAINTENANCE BULLETIN (PCM) ON ASI WEBSITE



BOTTOM VIEW



ISOMETRIC

SPECIFICATION

Surface Mounted Automatic Roll Paper Towel Dispenser shall hold and dispense one 8" [203] wide x 8" Dia. [Ø203] standard towel roll up to 800 ft. (244m) long and one 8" [203] wide stub roll up to 4" Dia. [Ø102]. Automatic Touchless Roll Towel Dispenser shall be powered by four (4) D-size batteries (not supplied) and operate automatically to activate towel dispensing when hands are placed in sensor zone from 1/2" [13] below sensor to 4-1/2" [114] below sensor. At each activation unit shall feed out a length of towel selected by owner by setting length, delay and paper saver switches. Unit shall have an internal towel cut-off bar. Cabinet and frame shall be 22 gage type 304 alloy 18-8 stainless steel. Towel dispenser door shall be 18 gage same grade and shall have a full return and formed sill at bottom edge for user safety. All exposed surfaces shall have satin finish protected by PVC film easily removed after installation. Door shall be attached to cabinet at side with a full-length 3/16" Dia. [Ø4,8] stainless steel multi-staked piano hinge and shall be held closed with a tumbler lock keyed alike to other ASI washroom equipment. Structural assembly of all components shall be of welded construction. Cabinet shall have no exposed fastening devices or spot-welded seams.

Surface Mounted Automatic Roll Paper Towel Dispenser shall be Model № 8523A as manufactured by American Specialties, Inc., 441 Saw Mill River Road, Yonkers, New York 10701-4913

INSTALLATION

Provide adequate in-wall reinforcement (by others) in drywall construction to hold mounted unit in-service after wall is finished. Provide appropriate anchors (by others) to suit wall and field conditions for installation onto walls other than new drywall. Mount unit on wall using № 10 or 1/4" x 1-1/2" [M5 or M6 x 38] self-threading pan head or flat head screws (by others) or other suitable fasteners (by others) through concealed mounting holes provided. For compliance with ANSI A-117.1, 2015 ABA Standards and 2010 ADA Accessibility Standards install unit so that top edge of towel dispenser opening is 48" [1219] Maximum Above Finished Floor (Max AFF) only if clear floor reach access is provided. Be advised that local codes may require mounting so that top of towel dispenser opening is 40" [1016] Max AFF (e.g. California UBC/Title 24). For general utility install unit with top of towel dispenser opening between 49" [1245] and 56" [1422] AFF.

OPERATION

Towels are dispensed one length at a time automatically when hands are placed in sensor zone until supply is depleted. Length of towel dispensed is predetermined by owner by making selections on three (3) three (3)-position switches for length, delay, economy. Unit may be reloaded with a full roll to automatically start when finished with an existing partial roll and will continue to feed properly when reloaded with a full roll and partial roll is transferred to stub roll position. Refill dispenser by unlocking door and replacing towel roll for an empty or partially empty unit. Locking door prevents unauthorized access and roll removal. Dispenser supply is replenished batteries are replaced manually on cycles determined by maintenance needs.